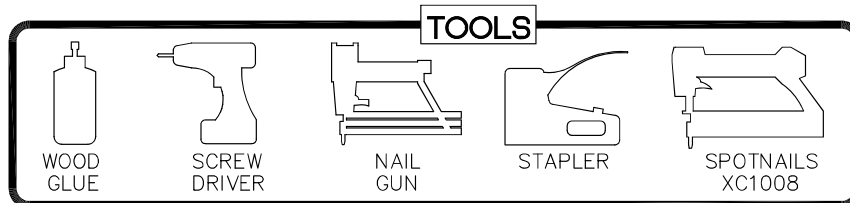
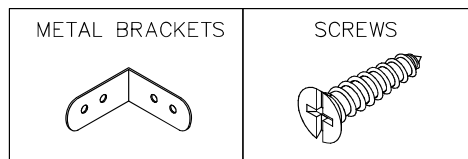
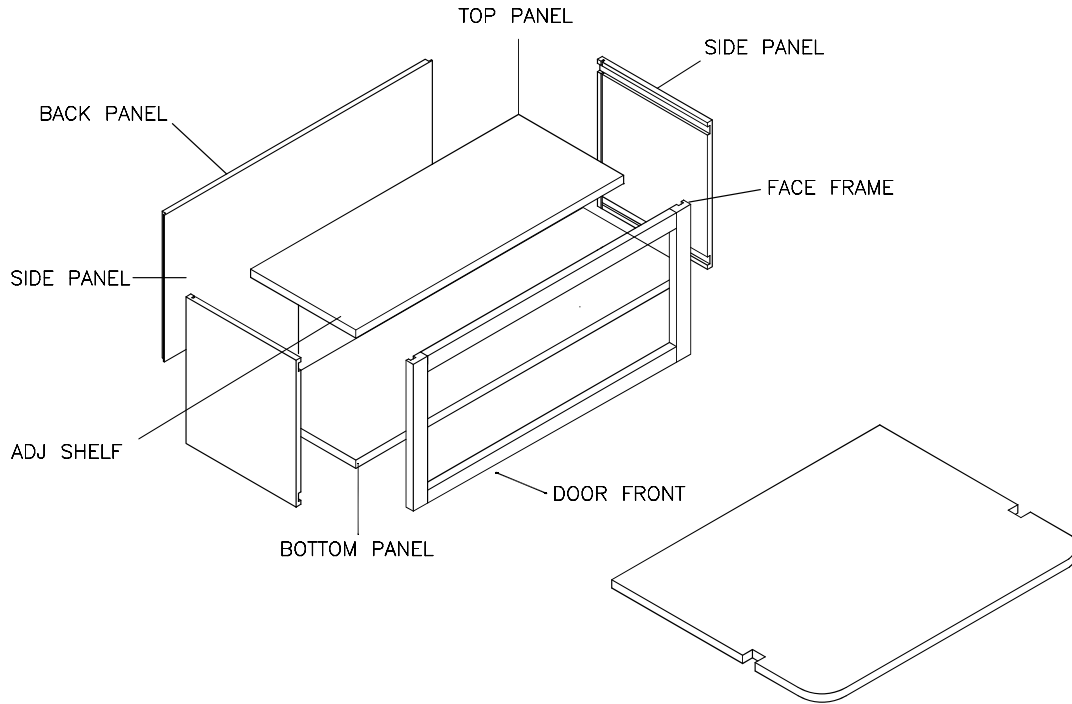




ASSEMBLY INSTRUCTIONS - WALL MICROWAVE CABINET

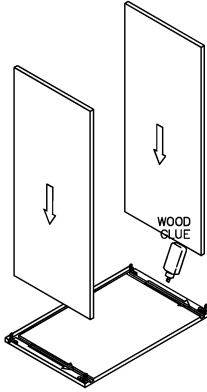


This instruction applies to the following items:
WMC3018

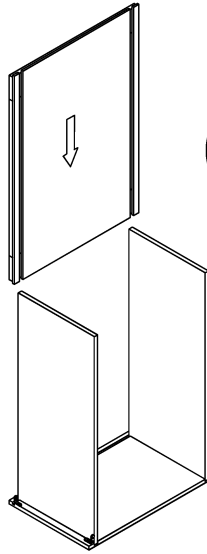


STEP 1

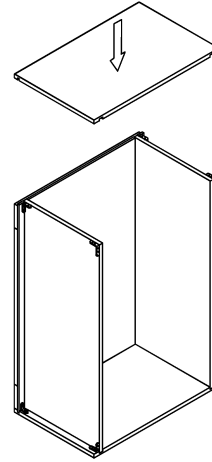
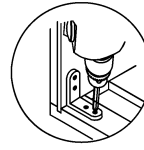
Glue each assembly slot



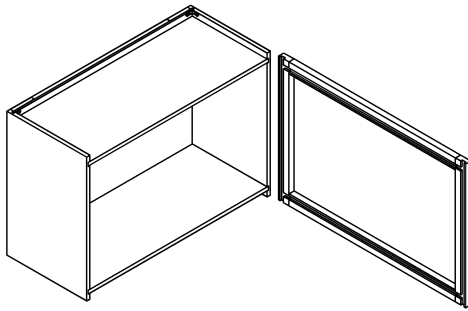
STEP 2



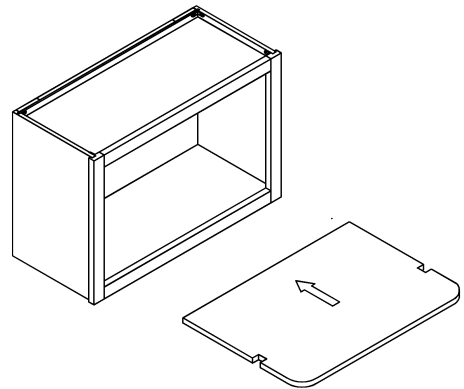
STEP 3



STEP 4



STEP 5



STEP 6

