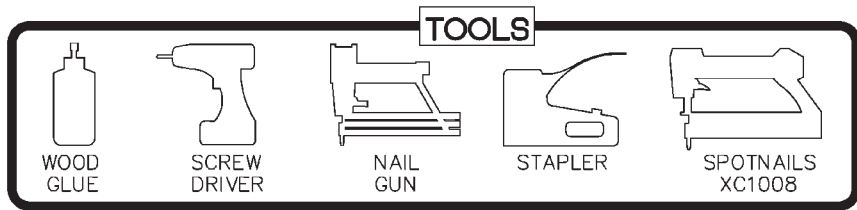
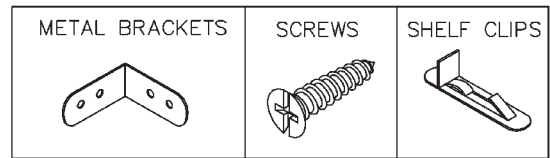
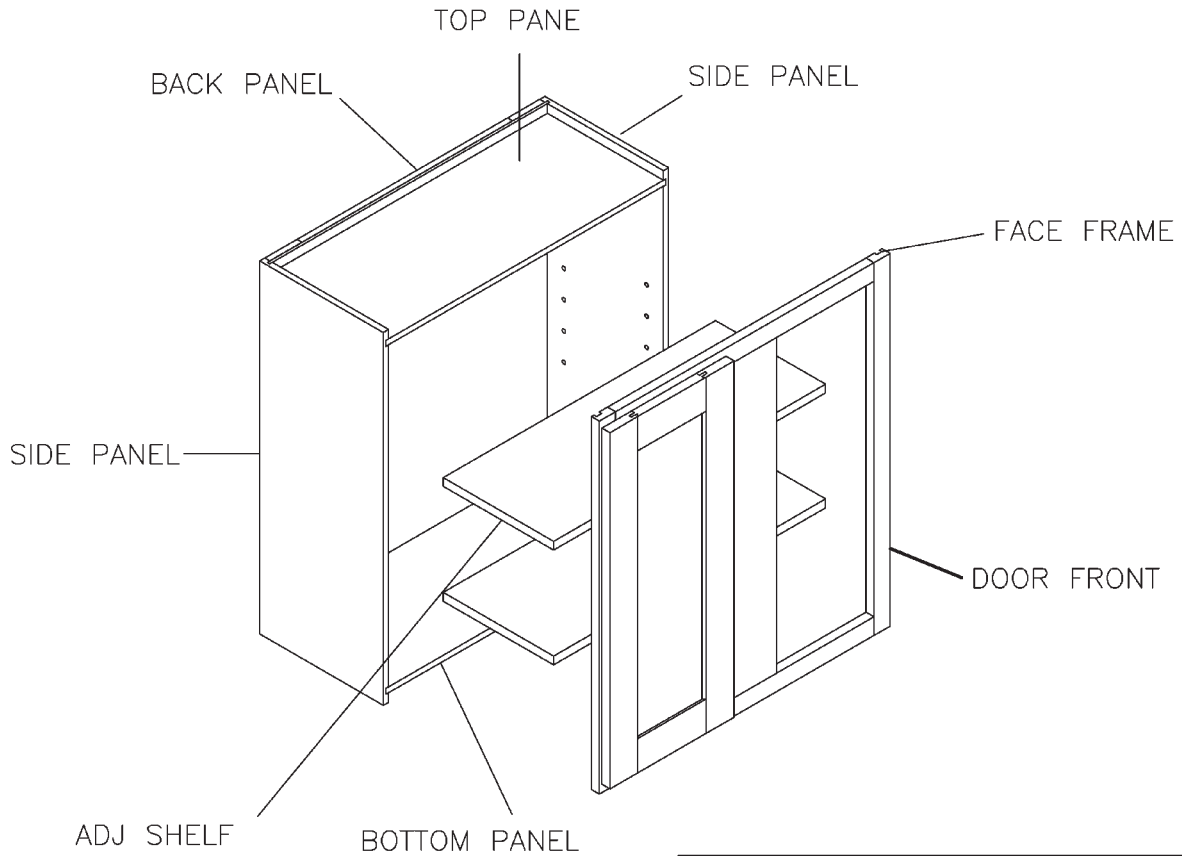




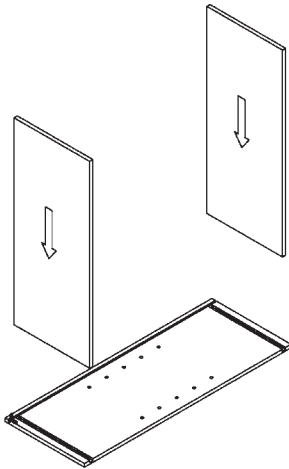
**ASSEMBLY INSTRUCTIONS - WALL BLIND CORNER CABINET**



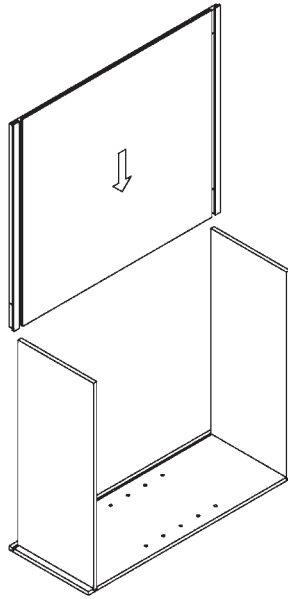
This instruction applies to the following items:  
WBC2730-WBC2742



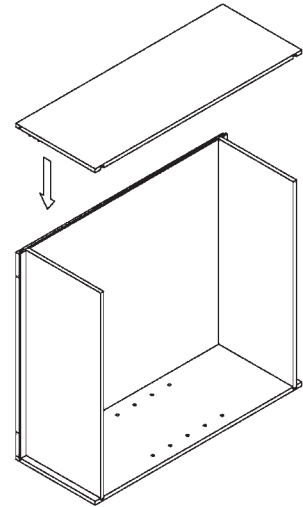
STEP 1



STEP 2

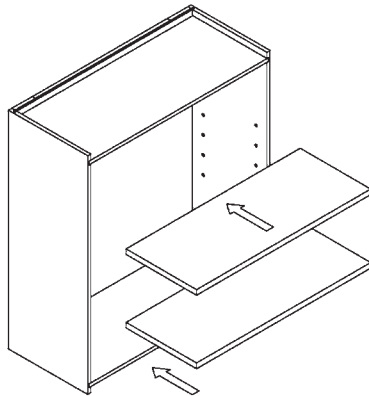


STEP 3

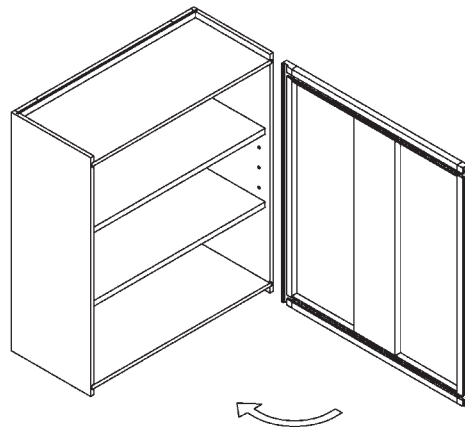


STEP 4

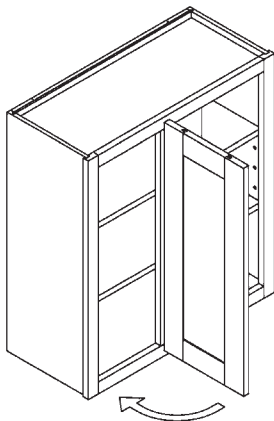
The number of adjustable shelf depends on the actual cabinet type



STEP 5



STEP 6



STEP 7

