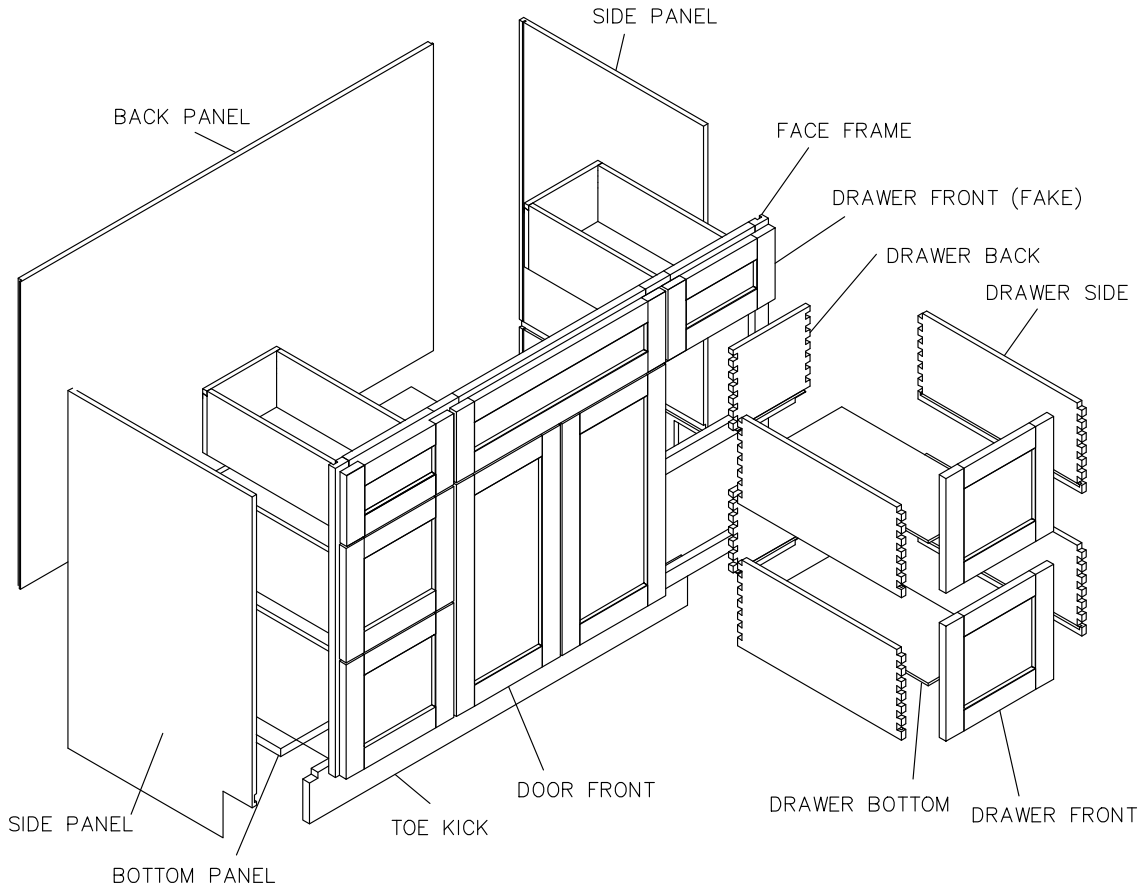
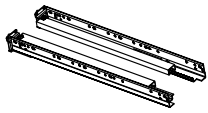
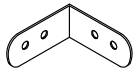
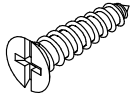
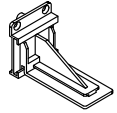



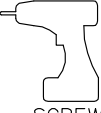
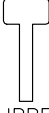




**ASSEMBLY INSTRUCTIONS - VANITY CABINET (WITH 6 DRAWERS)**



<p>GLIDES</p> 	<p>METAL BRACKETS</p> 	<p>SCREWS</p> 	<p>GLIDE SUPPORTS</p> 
---	---	---	---

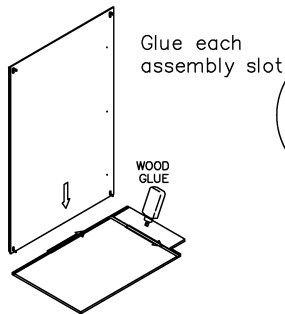
**TOOLS**

 WOOD GLUE	 SCREW DRIVER	 RUBBER MALLET	 NAIL GUN	 STAPLER
--	---	--	---	---

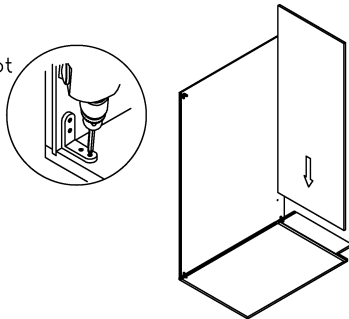
This instruction applies to the following items:  
VAN48D-6, VAN60D-6



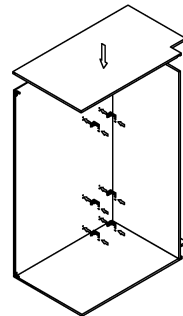
STEP 1



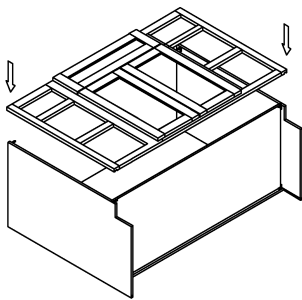
STEP 2



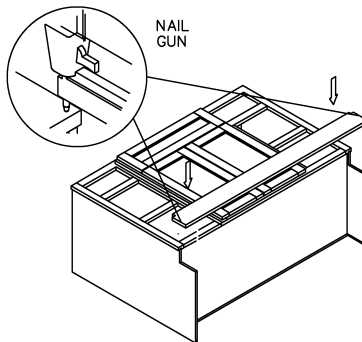
STEP 3



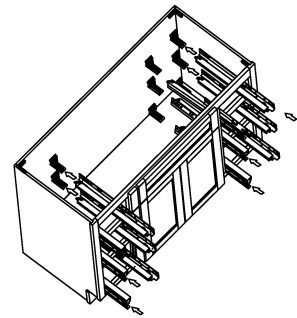
STEP 4



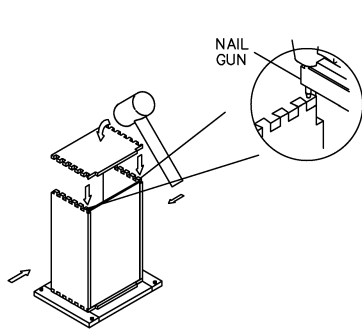
STEP 5



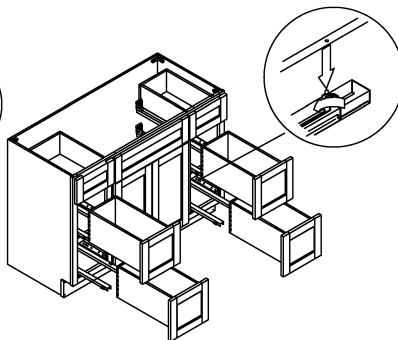
STEP 6



STEP 7



STEP 8



STEP 9

