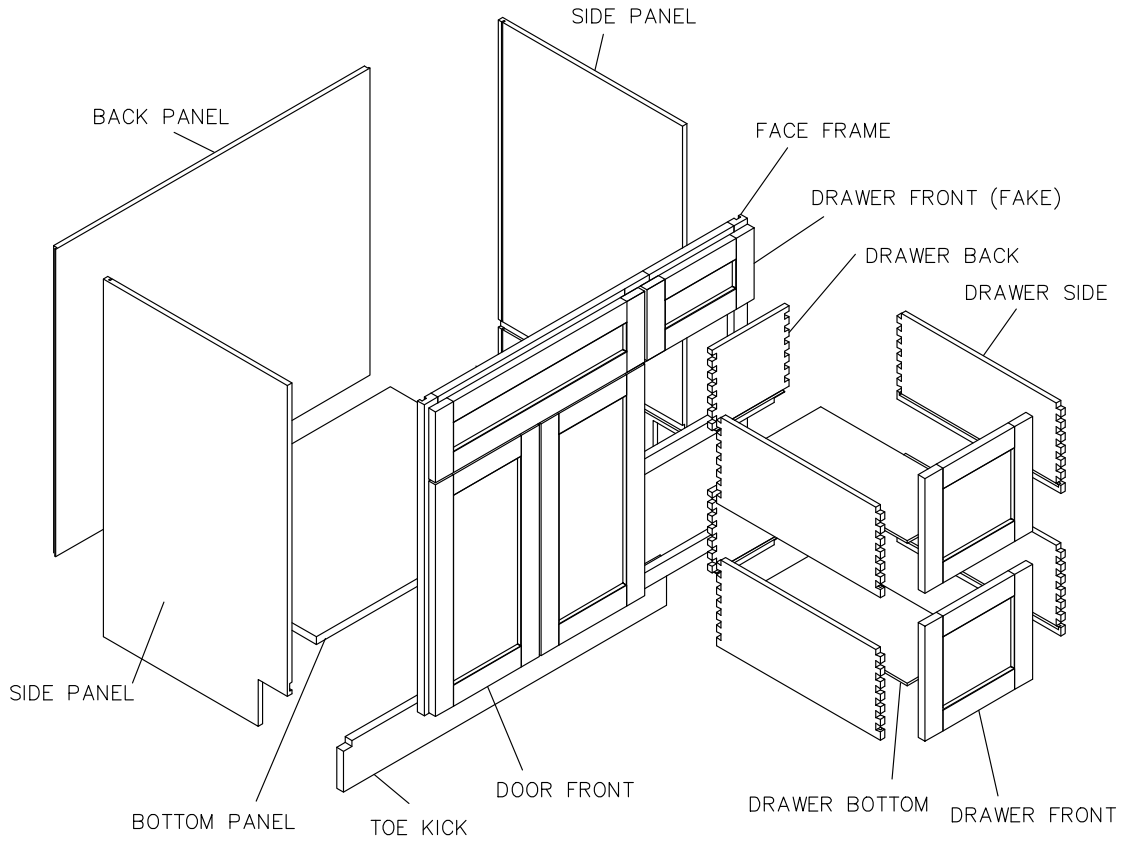




ASSEMBLY INSTRUCTIONS - VANITY CABINET (WITH 2 DRAWERS)



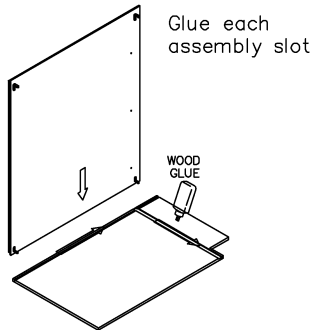
<p>GLIDES</p>	<p>METAL BRACKETS</p>	<p>SCREWS</p>	<p>GLIDE SUPPORTS</p>
---------------	-----------------------	---------------	-----------------------

TOOLS				
 WOOD GLUE	 SCREW DRIVER	 RUBBER Mallet	 NAIL GUN	 STAPLER

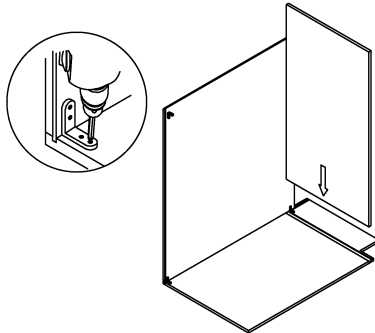
This instruction applies to the following items:
VAN36DL, VAN36DR, VAN42DL, VAN42DR



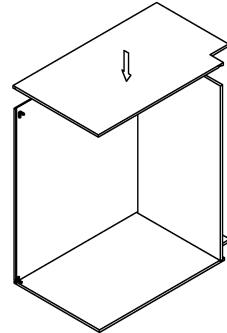
STEP 1



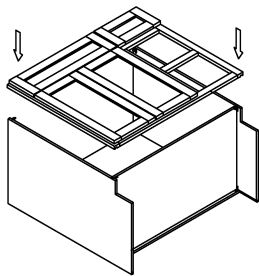
STEP 2



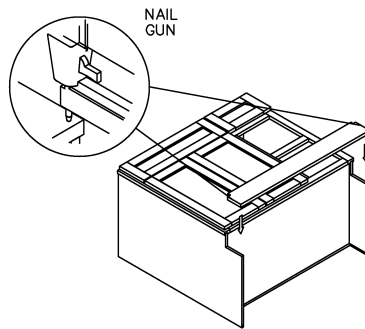
STEP 3



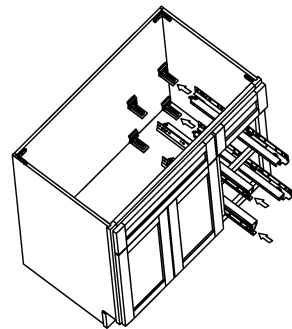
STEP 4



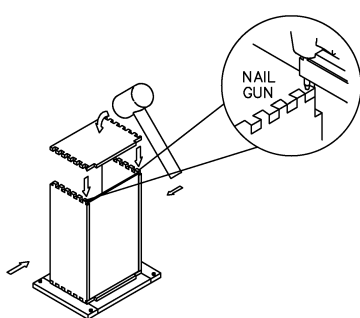
STEP 5



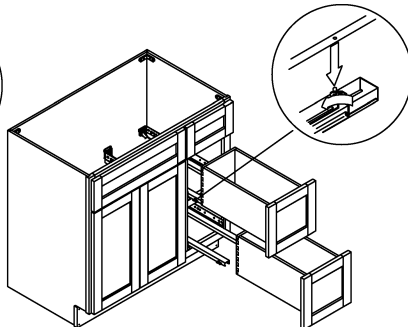
STEP 6



STEP 7



STEP 8



STEP 9

