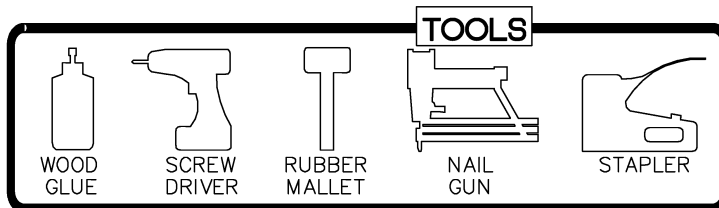
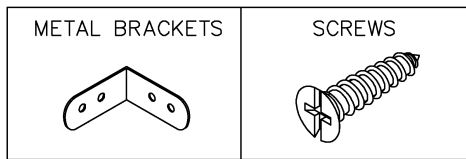
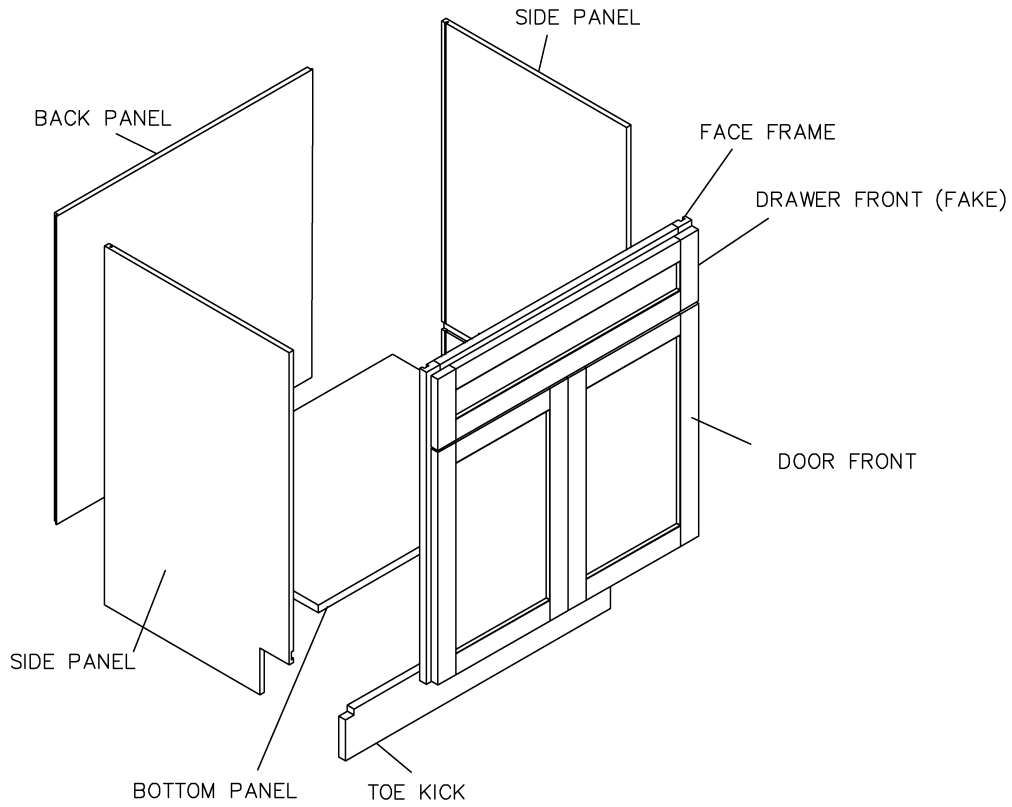




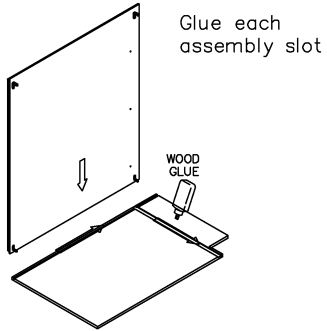
ASSEMBLY INSTRUCTIONS - SINK BASE CABINET



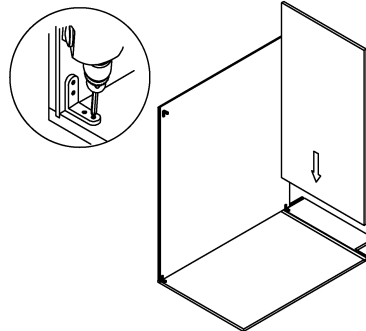
This instruction applies to the following items:
SB30 (Single false drawer)
SB36 (Double false drawers)



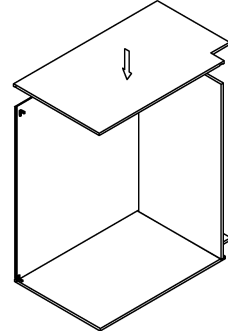
STEP 1



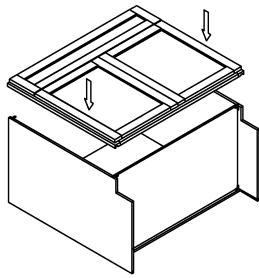
STEP 2



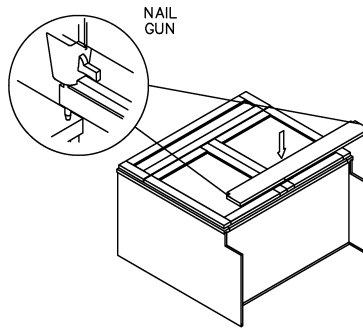
STEP 3



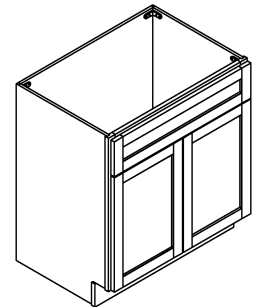
STEP 4



STEP 5

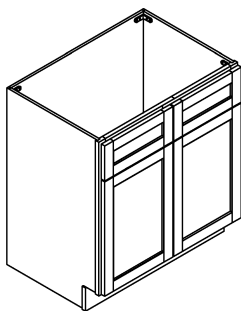


STEP 6



(Single false drawer)

STEP 7



(Double false drawers)