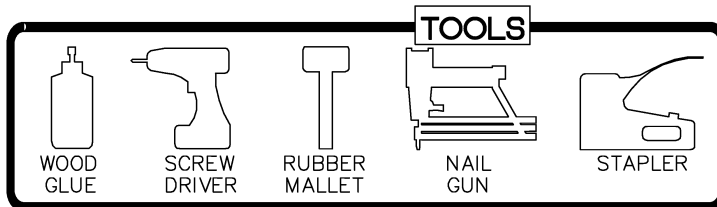
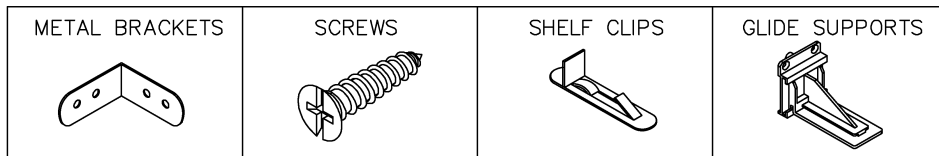
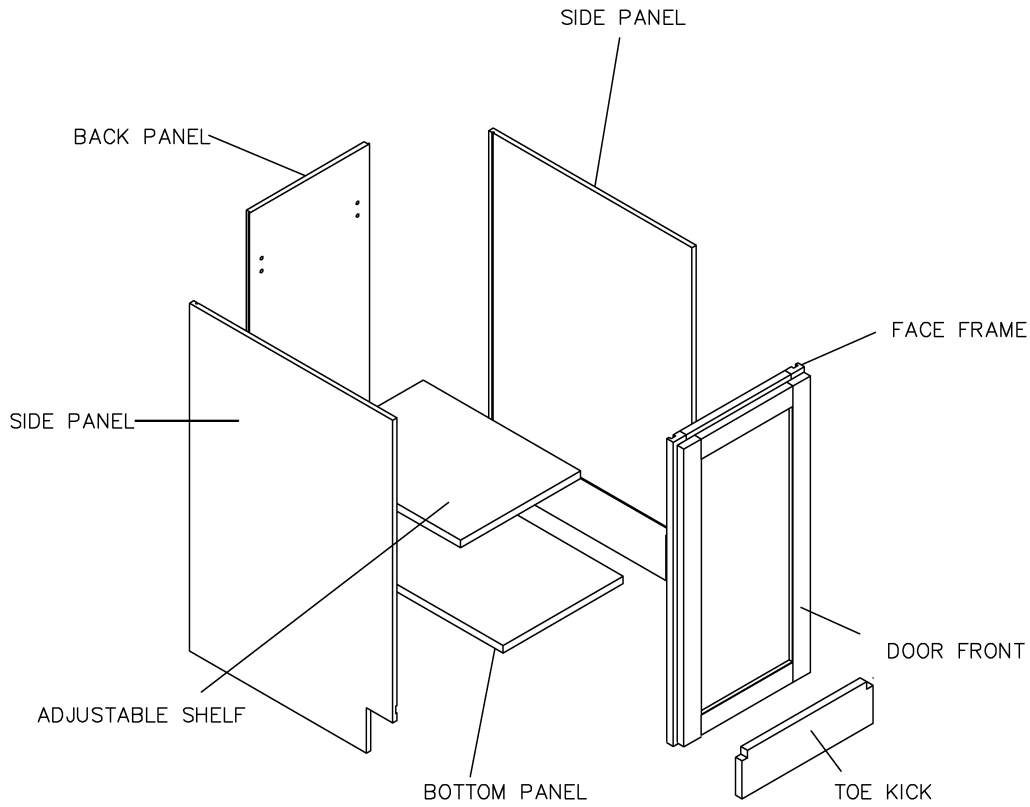




ASSEMBLY INSTRUCTIONS - FULL DOOR BASE CABINET

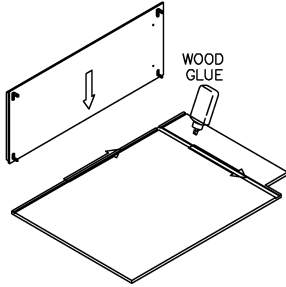


This instruction applies to the following items:
FDB18-FDB36

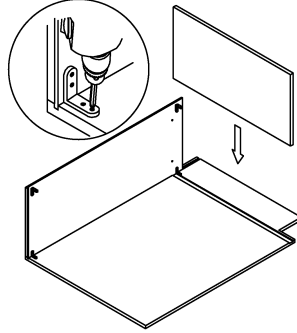


STEP 1

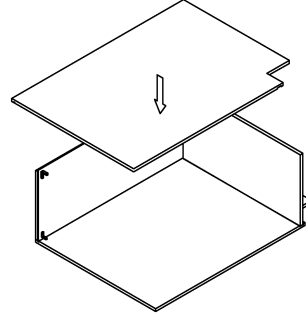
Glue each assembly slot



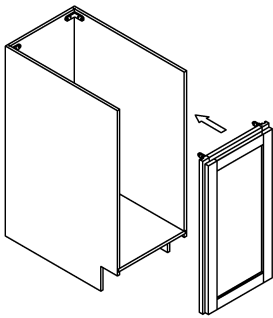
STEP 2



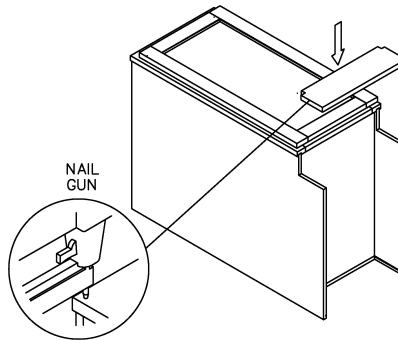
STEP 3



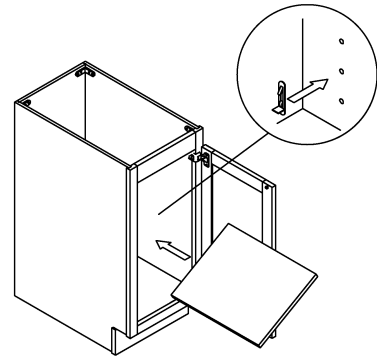
STEP 4



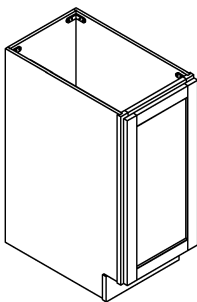
STEP 5



STEP 6



STEP 7



STEP 8

