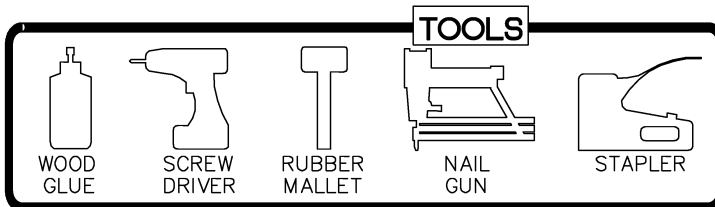
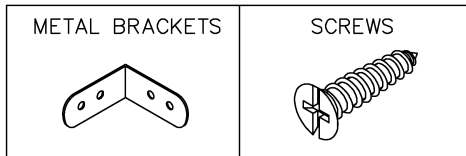
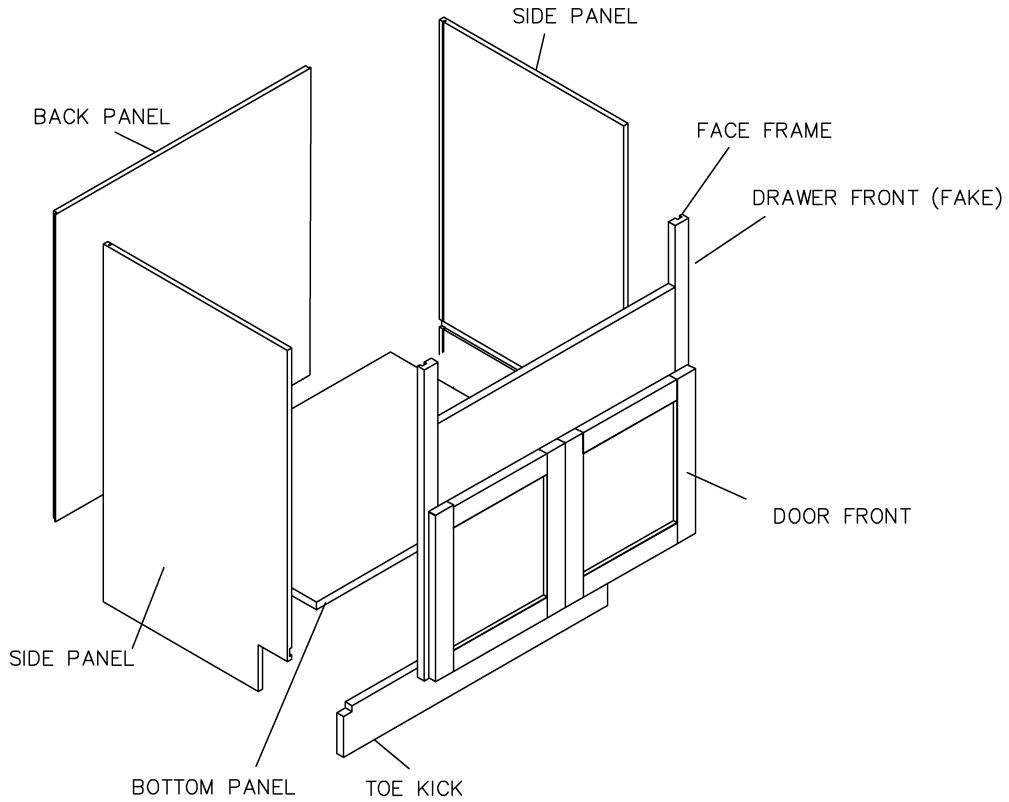




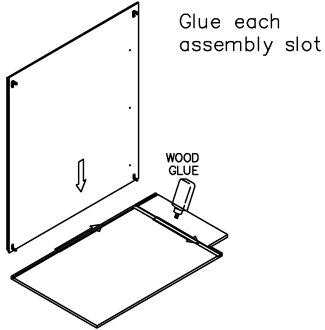
**ASSEMBLY INSTRUCTIONS - FARM SINK BASE CABINET**



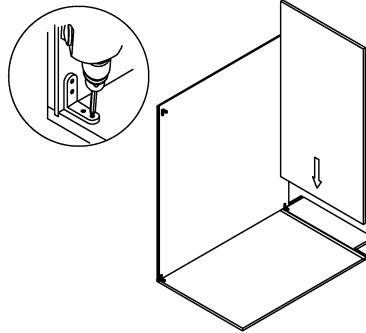
This instruction applies to the following items:  
FSB36



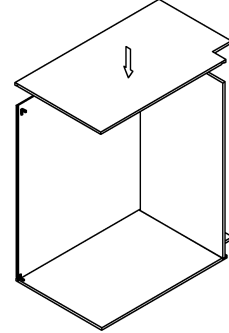
STEP 1



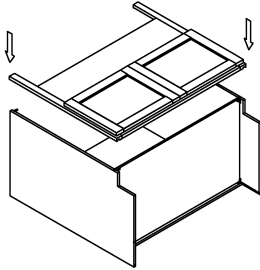
STEP 2



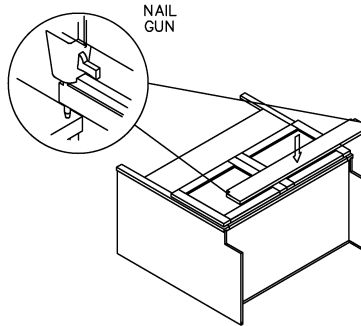
STEP 3



STEP 4



STEP 5



STEP 6

