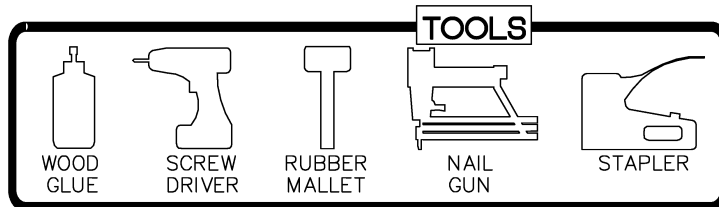
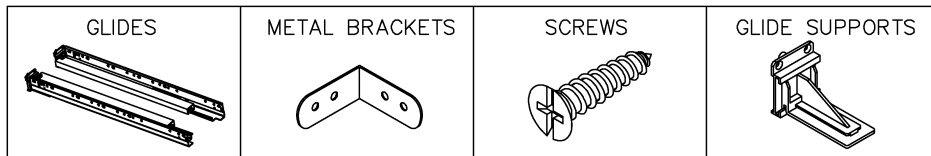
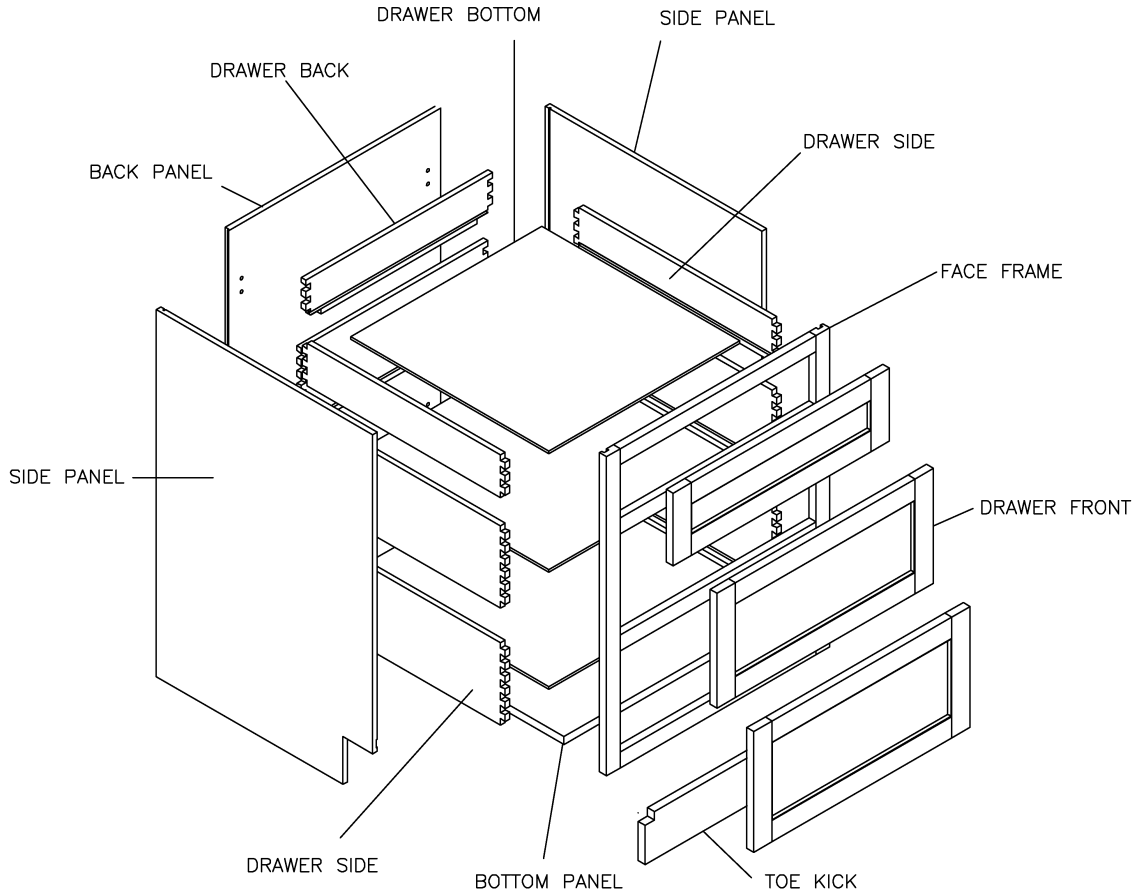




ASSEMBLY INSTRUCTIONS - DRAWER BASE CABINET (3 DRAWERS)

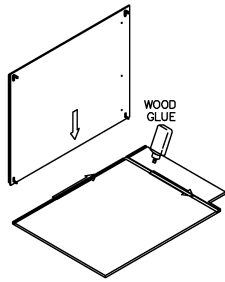


This instruction applies to the following items:
DB12, DB15, DB18, DB21
DB24, DB27, DB30, DB33, DB36

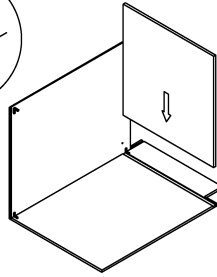
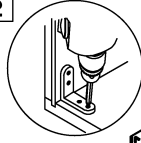


STEP 1

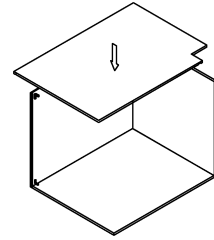
Glue each assembly slot



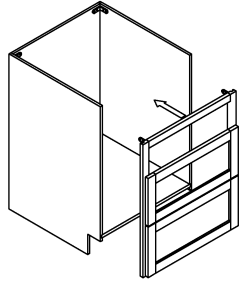
STEP 2



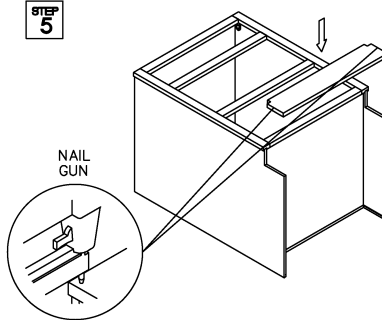
STEP 3



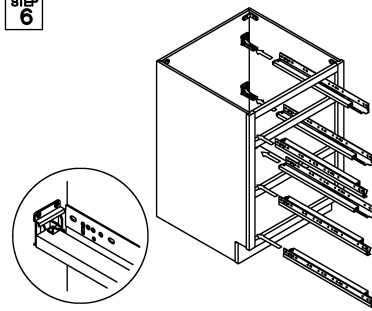
STEP 4



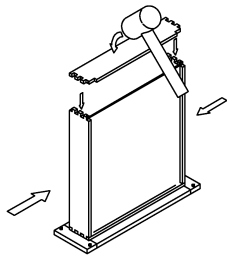
STEP 5



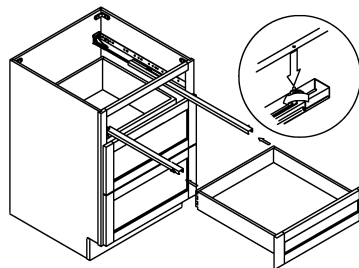
STEP 6



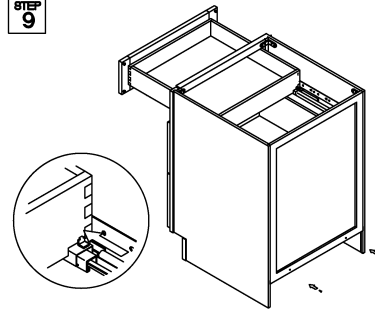
STEP 7



STEP 8



STEP 9



STEP 10

