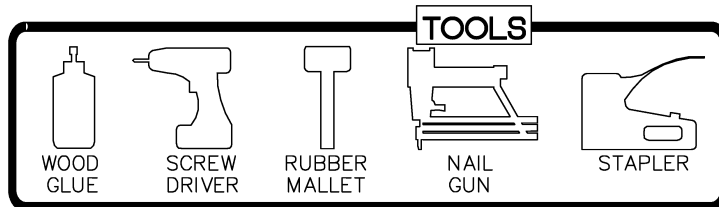
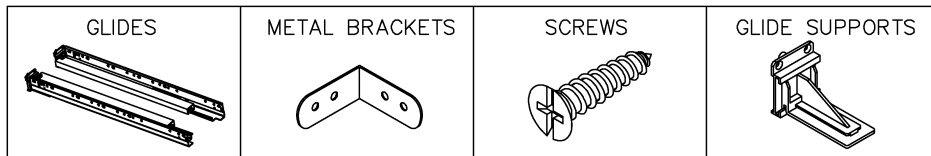
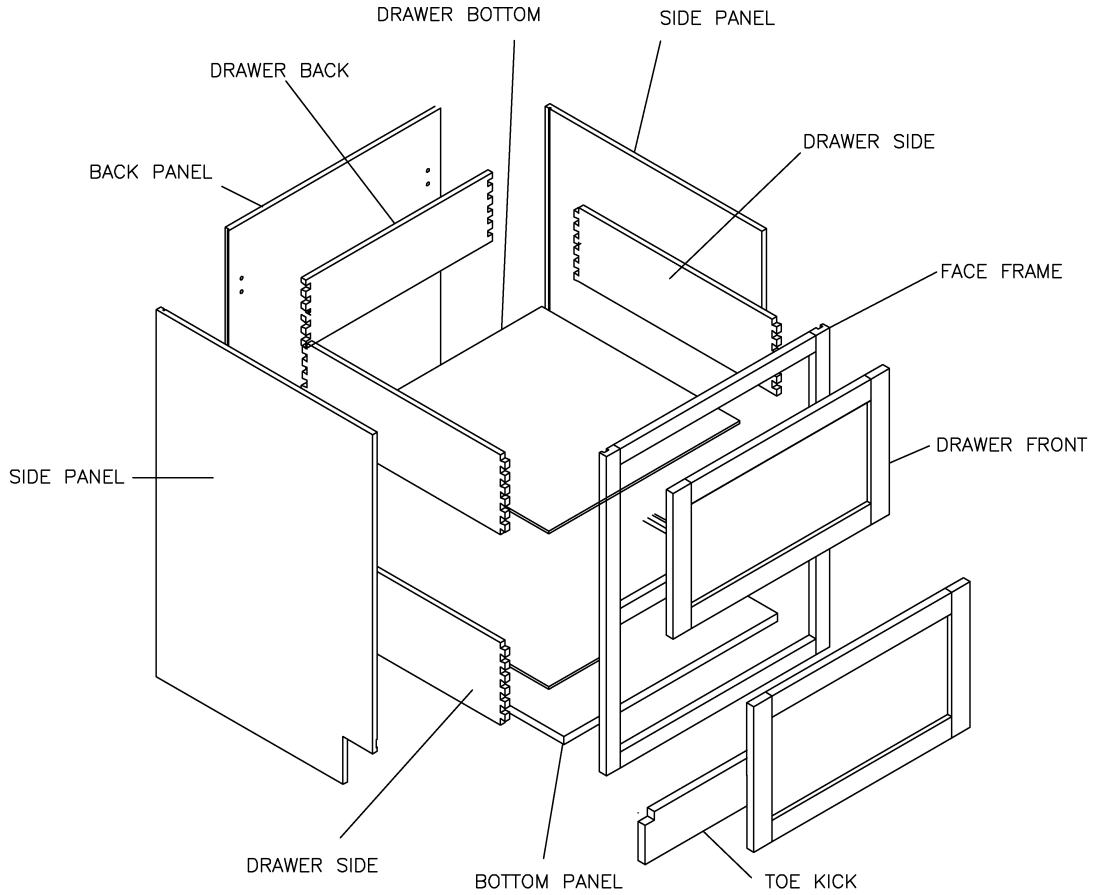




ASSEMBLY INSTRUCTIONS - DRAWER BASE CABINET (2 DRAWERS)

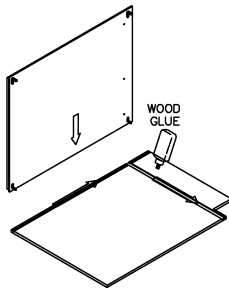


This instruction applies to the following items:
2DB30, 2DB33, 2DB36

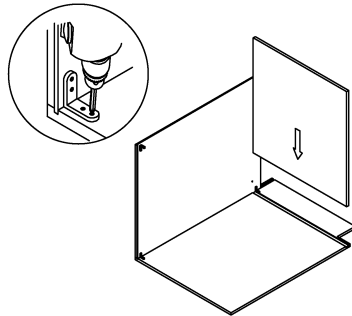


STEP 1

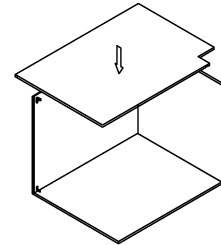
Glue each assembly slot



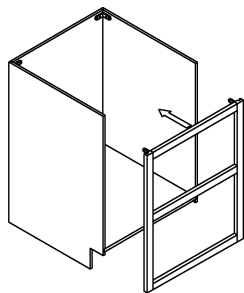
STEP 2



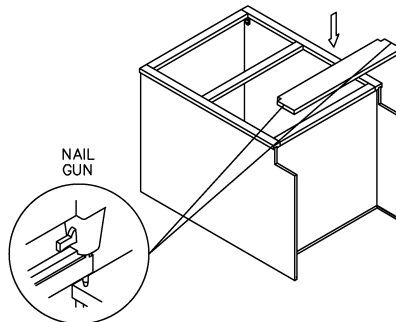
STEP 3



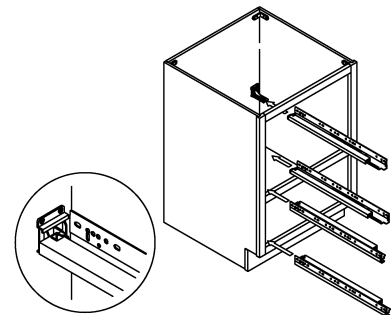
STEP 4



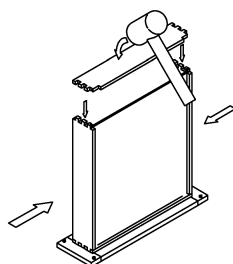
STEP 5



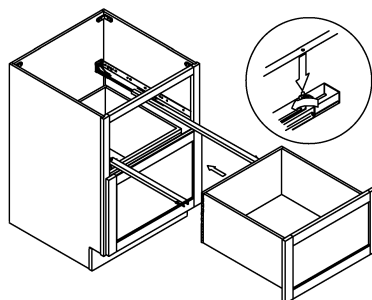
STEP 6



STEP 7



STEP 8



STEP 9

