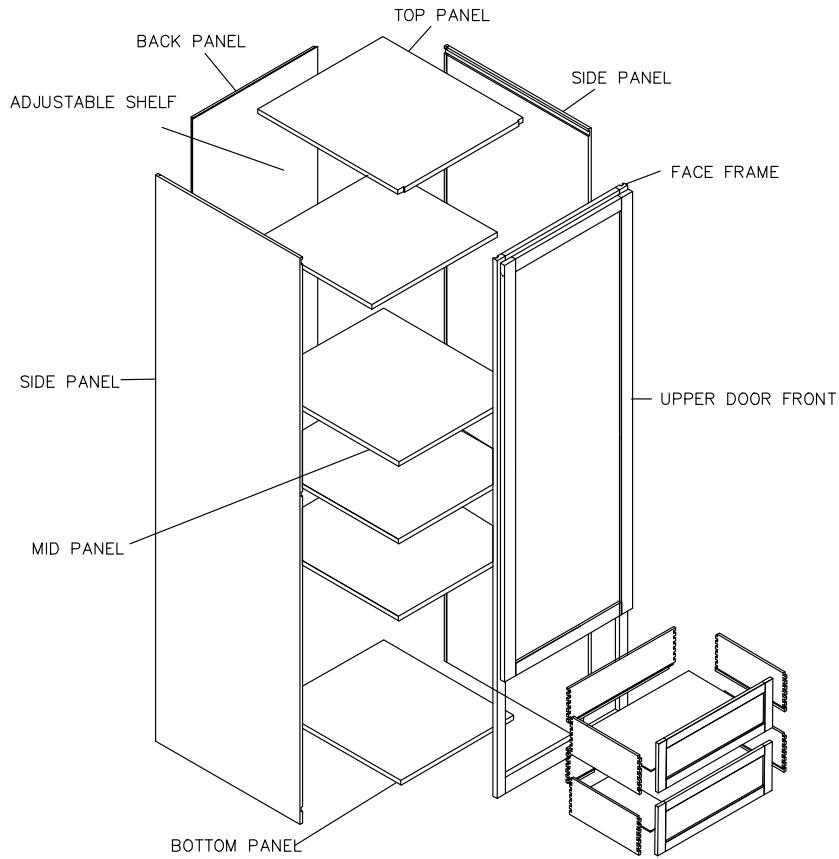




ASSEMBLY INSTRUCTIONS - COUNTER LINEN CABINET



<p>GLIDES</p>	<p>METAL BRACKETS</p>	<p>SCREWS</p>	<p>SHELF CLIPS</p>	<p>GLIDE SUPPORTS</p>
---------------	-----------------------	---------------	--------------------	-----------------------

TOOLS

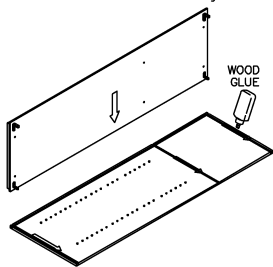
<p>WOOD GLUE</p>	<p>SCREW DRIVER</p>	<p>RUBBER MALLET</p>	<p>NAIL GUN</p>	<p>STAPLER</p>
------------------	---------------------	----------------------	-----------------	----------------

This instruction applies to the following items:
CL156012

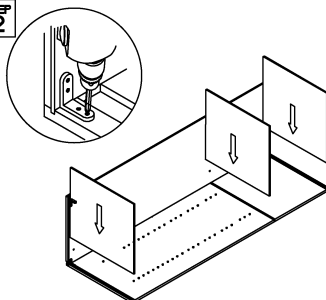


STEP 1

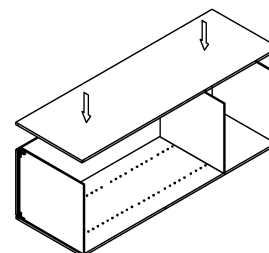
Glue each assembly slot



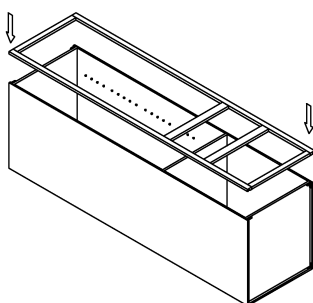
STEP 2



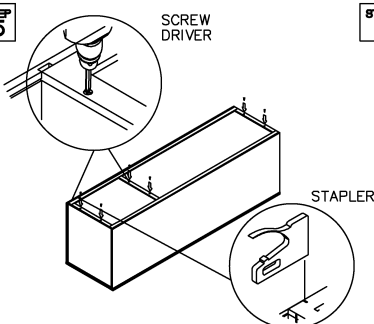
STEP 3



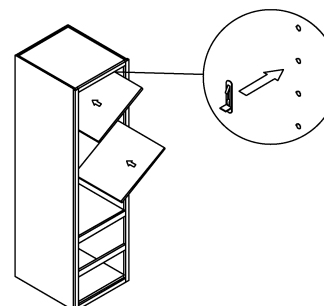
STEP 4



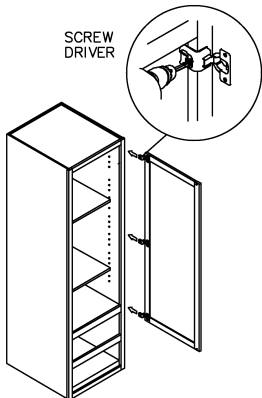
STEP 5



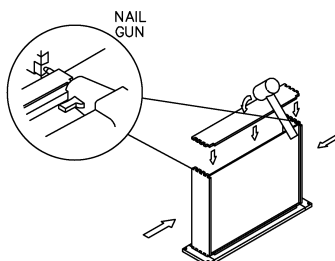
STEP 6



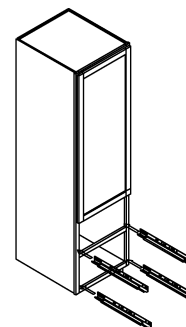
STEP 7



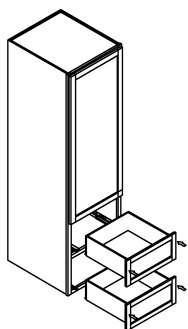
STEP 8



STEP 9



STEP 10



STEP 11

