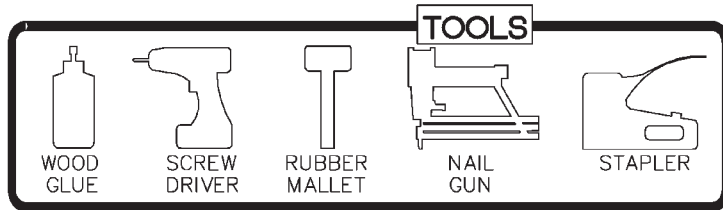
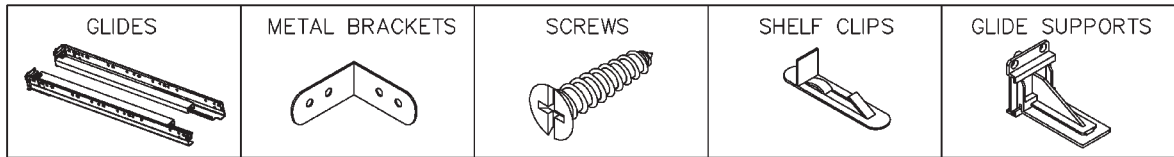
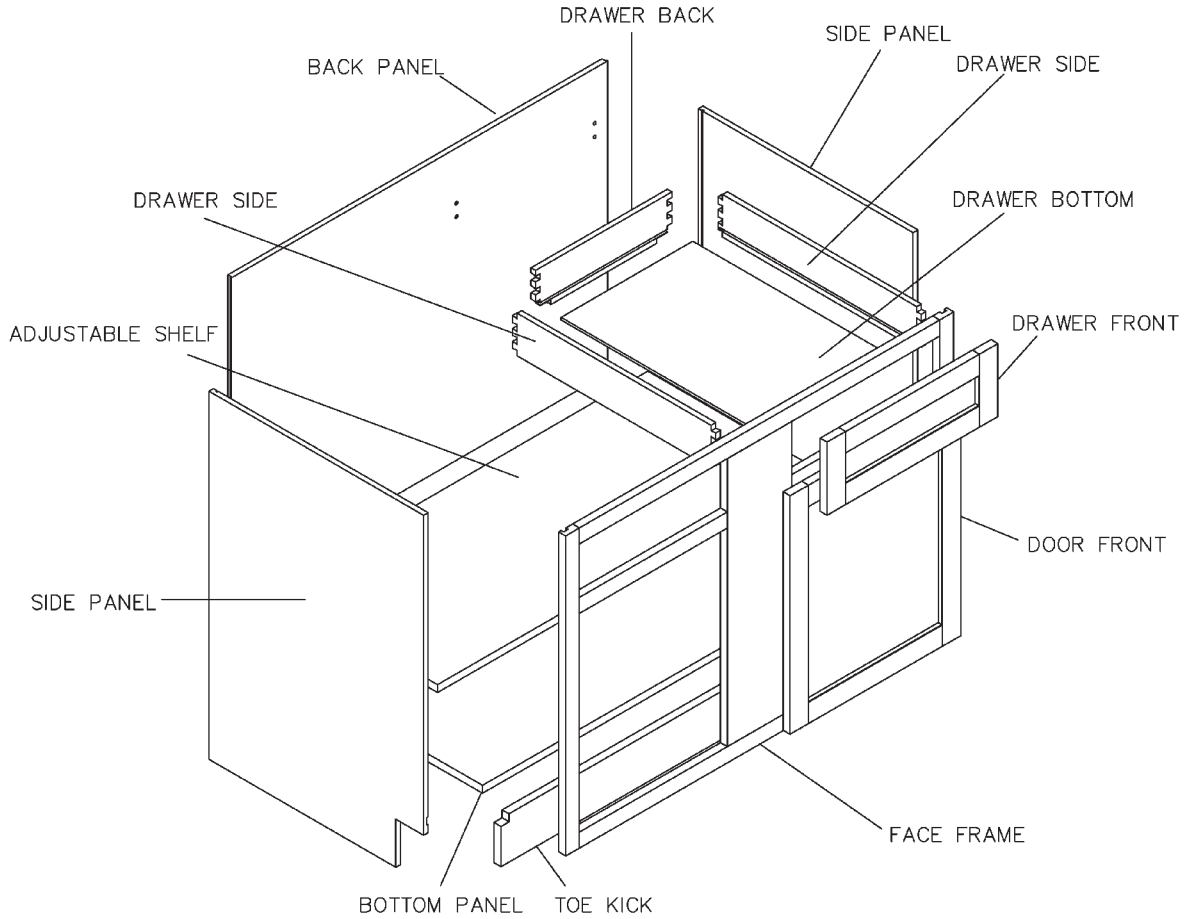




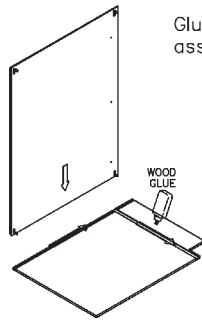
**ASSEMBLY INSTRUCTIONS - BLIND BASE CORNER CABINET**



This instruction applies to the following items:  
BBC33-9

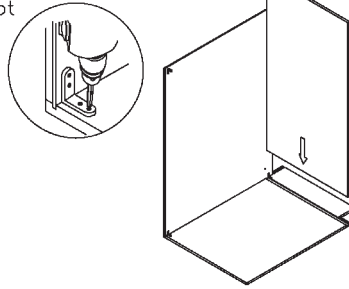


STEP 1

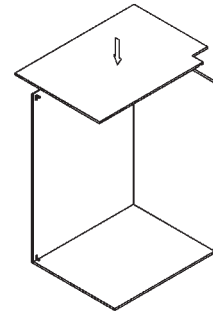


Glue each assembly slot

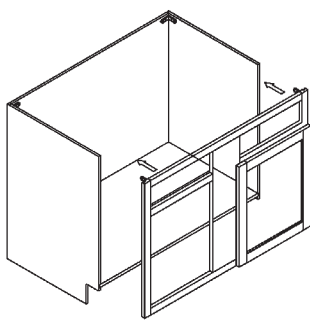
STEP 2



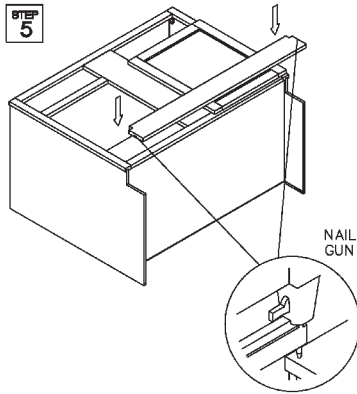
STEP 3



STEP 4

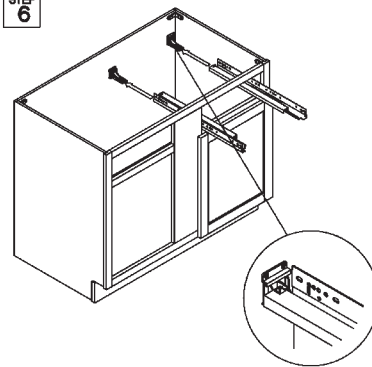


STEP 5

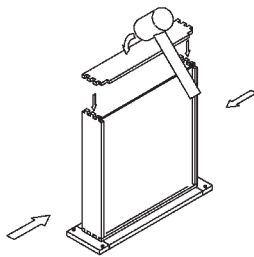


NAIL GUN

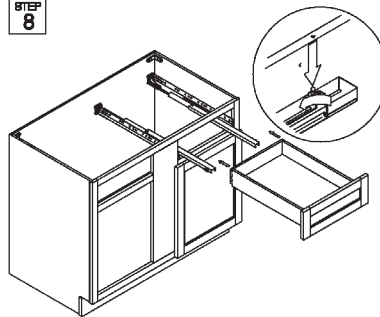
STEP 6



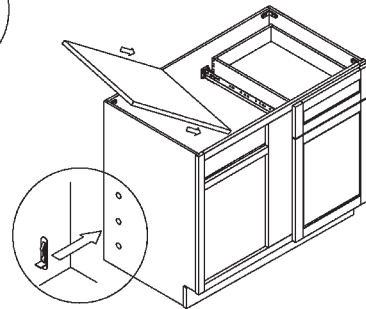
STEP 7



STEP 8



STEP 9



STEP 10

