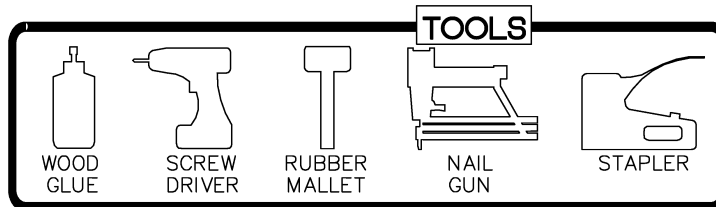
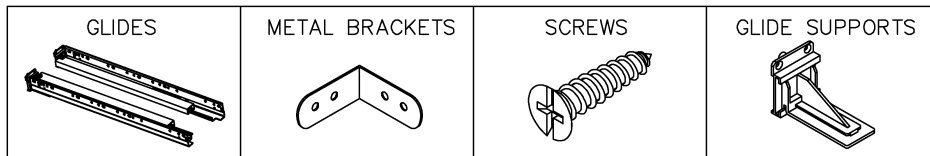
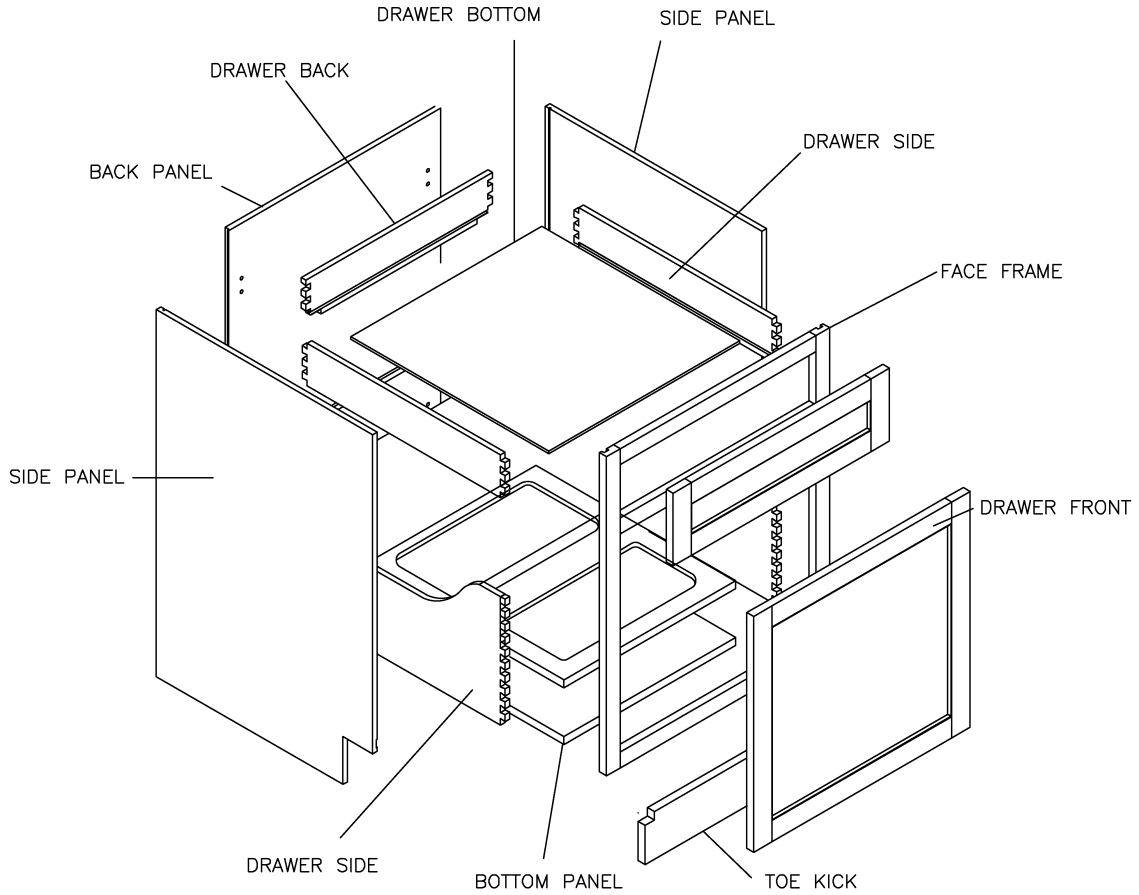




## ASSEMBLY INSTRUCTIONS - BASE WASTE BASKET CABINET



This instruction applies to the following items:  
BWBKT18

