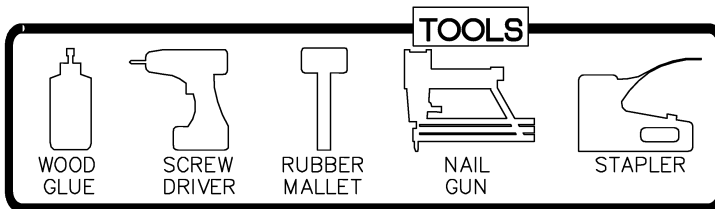
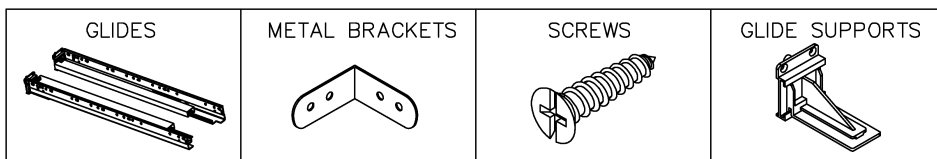
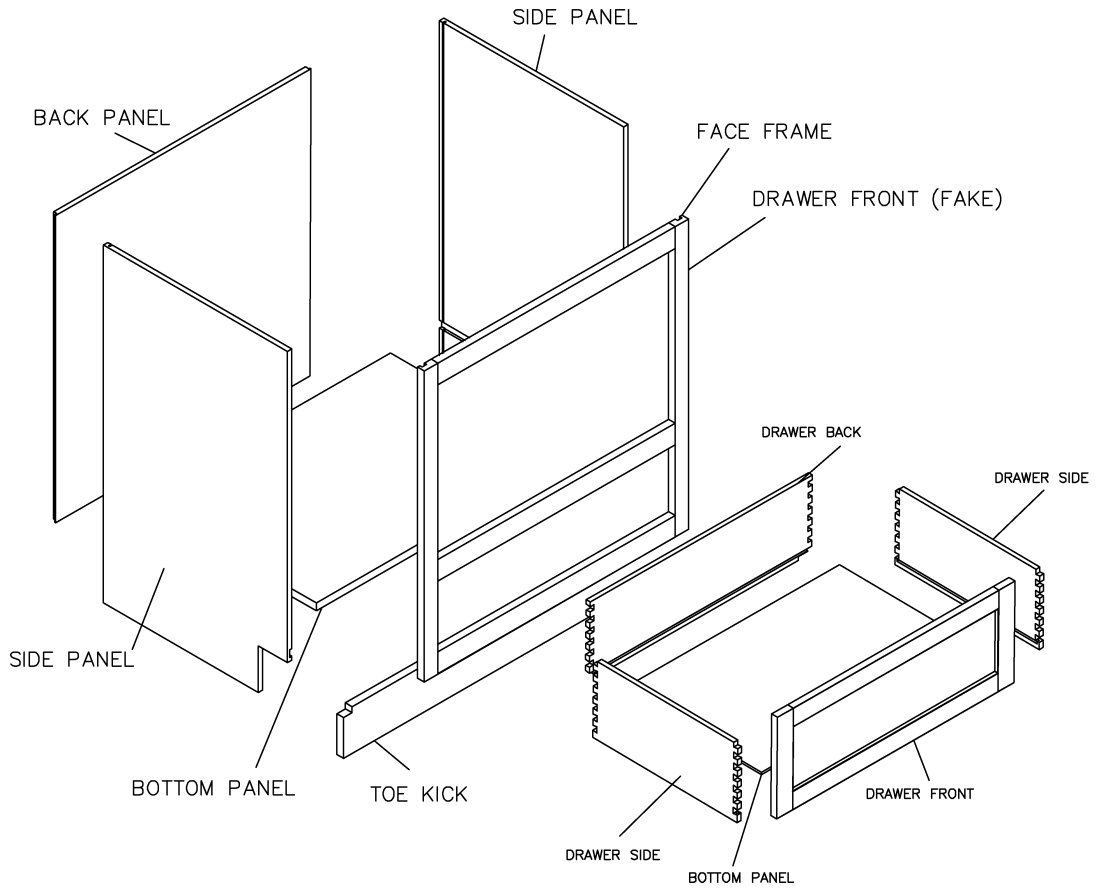




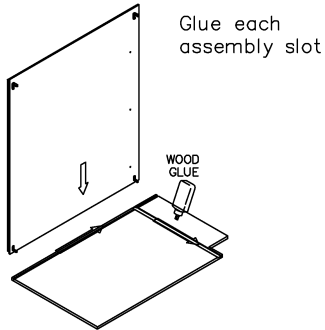
ASSEMBLY INSTRUCTIONS - BASE MICROWAVE CABINET



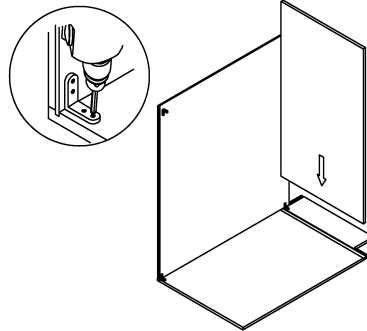
This instruction applies to the following items:
BMC30



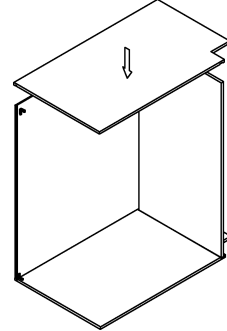
STEP 1



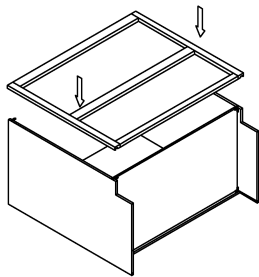
STEP 2



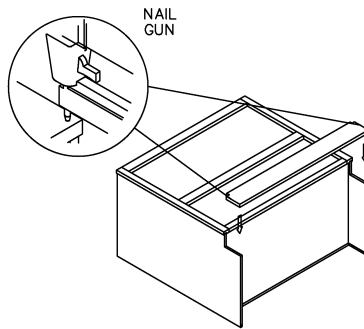
STEP 3



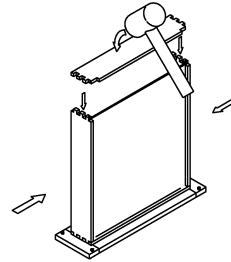
STEP 4



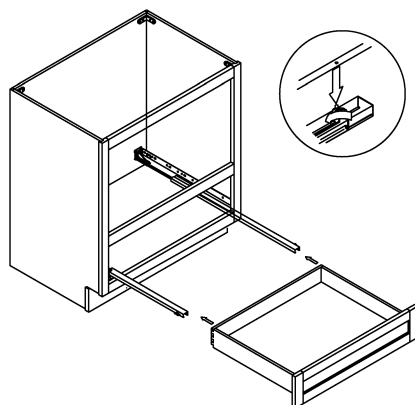
STEP 5



STEP 6



STEP 7



STEP 8

