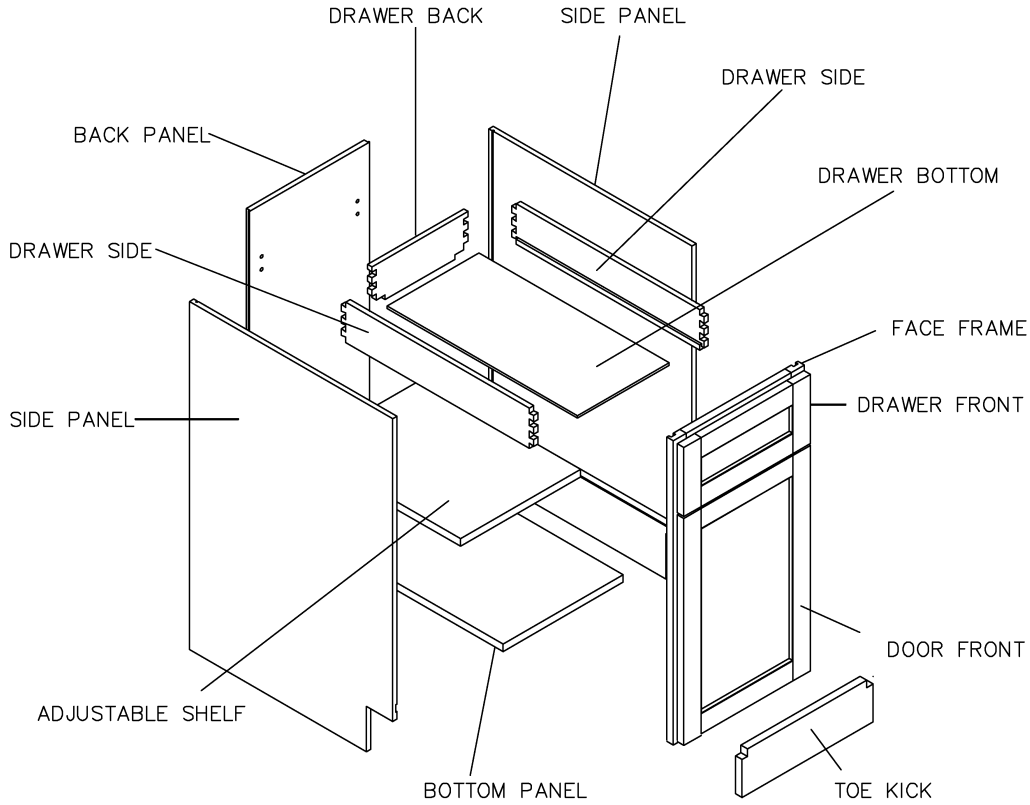




ASSEMBLY INSTRUCTIONS - BASE CABINET



<p>GLIDES</p>	<p>METAL BRACKETS</p>	<p>SCREWS</p>	<p>SHELF CLIPS</p>	<p>GLIDE SUPPORTS</p>
---------------	-----------------------	---------------	--------------------	-----------------------

TOOLS

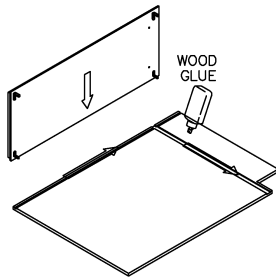
<p>WOOD GLUE</p>	<p>SCREW DRIVER</p>	<p>RUBBER Mallet</p>	<p>NAIL GUN</p>	<p>STAPLER</p>
------------------	---------------------	----------------------	-----------------	----------------

This instruction applies to the following items:
B09, B12, B15, B18, B21, B24,
B27, B30, B33, B36, B39, B42

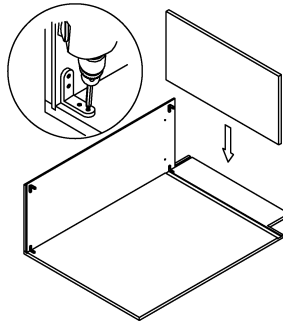


STEP 1

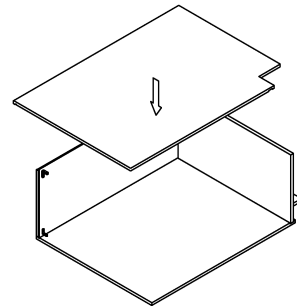
Glue each assembly slot



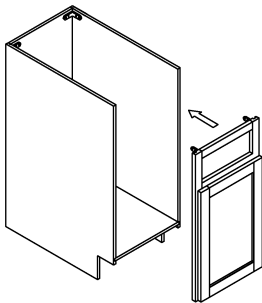
STEP 2



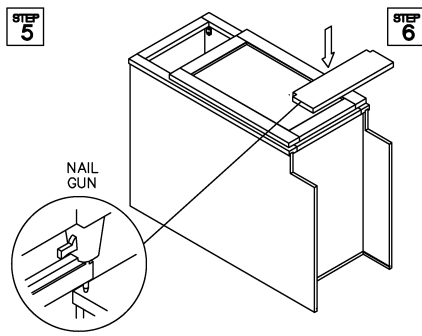
STEP 3



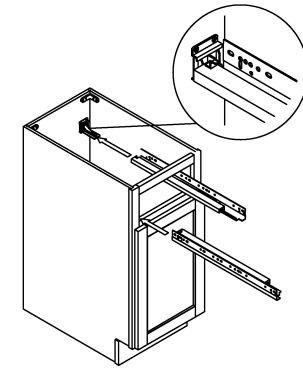
STEP 4



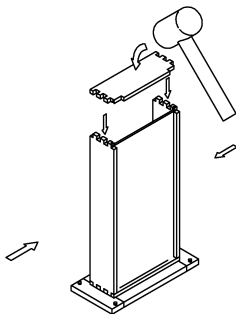
STEP 5



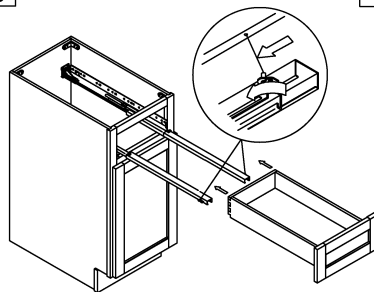
STEP 6



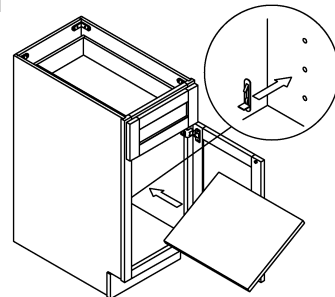
STEP 7



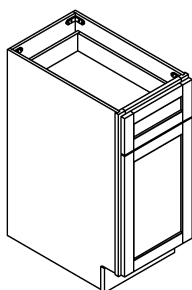
STEP 8



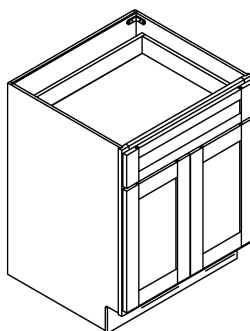
STEP 9



STEP 10



STEP 11



STEP 12

